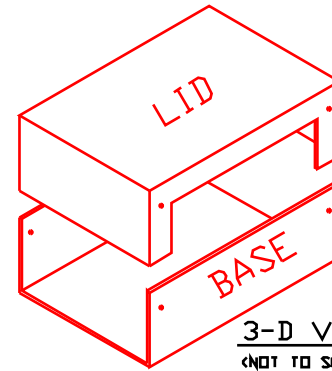


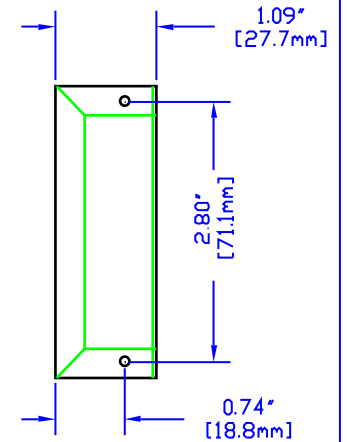
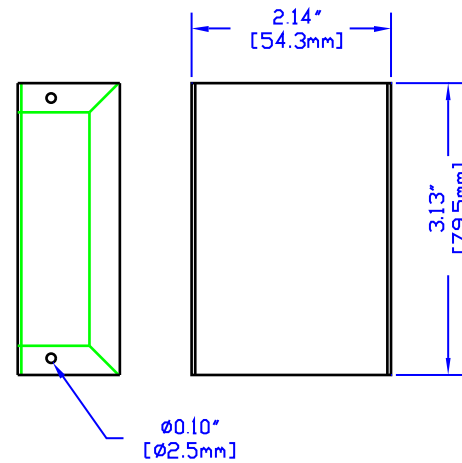
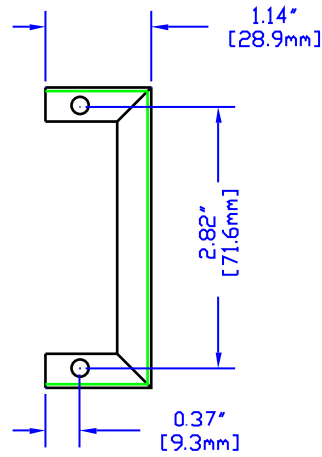
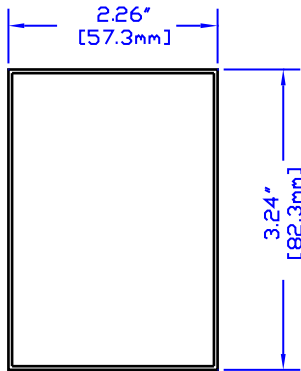
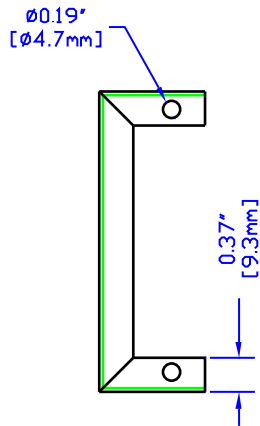
NOTES

MATERIAL - 0.040" THICK ALUMINUM
- #6 x 1/4" SELF TAPPING SCREWS

** 1411C - FINISHED ASA 6I GREY
1411CU - UNFINISHED



3-D VIEW
(NOT TO SCALE)



VIEW OF BASE (INSIDE)

VIEW OF LID (INSIDE)



HAMMOND MANUFACTURING

1411C-Handy Case

website: www.hammondmfg.com